



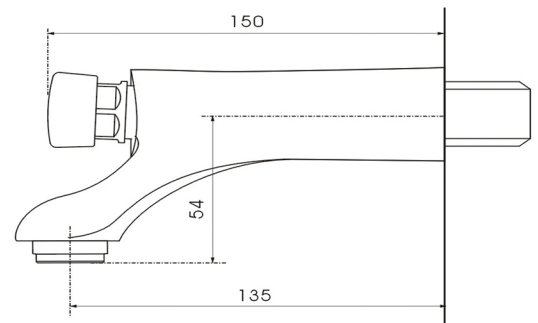
### Product Features

- User friendly design catered for everyday usage
- Water delay time of 3 seconds
- Solid brass body with high quality chrome finishing
- Impervious body structure capable of withstanding high volumes of use
- Child and elderly friendly

### Product Specifications

Material : Brass with Chrome Finish

Dimensions



### Testing Report


Test Report No. 7191057860-MEC13/01-CLC  
dated 16 APRIL 2013

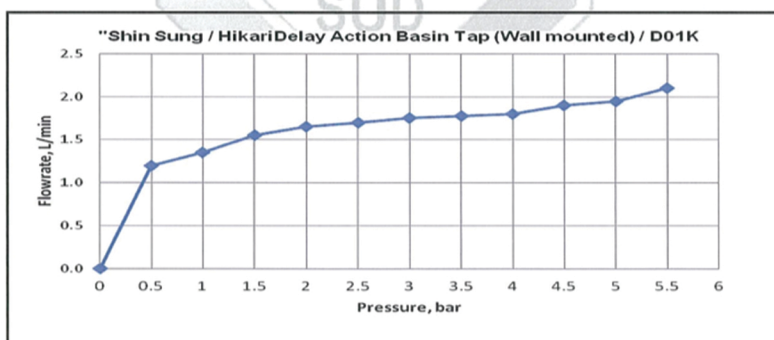


#### TEST RESULTS:

##### Hydraulic Characteristics

1) Description: Delay Action Basin Tap (Wall mounted)  
Model: D-01K

Flow Pressure ( bar )	Flow Rate ( litres/min )	Flow Rate Requirements for Water Efficiency Labelling	Photo
0	0		
0.5	1.2		
1.0	1.4		
1.5	1.6		
2.0	1.7		
2.5	1.7		
3.0	1.8	4 to 6 litres/min ( 1 tick )	
3.5	1.8	2 to 4 Litres/min ( 2 ticks )	
4.0	1.8	2 litres/min or less ( 3 ticks )	
4.5	1.9		
5.0	2.0		
5.5	2.1		



### Water Efficiency

WELS Rating : Excellent ✓✓✓

Water Flow Rate : 1.80 Litres/ Minute

Resistration No. : BST-2013/012814

Water Efficiency Mark

