



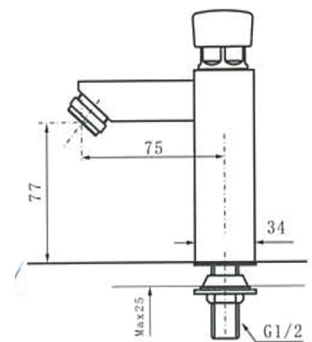
### Product Features

- User friendly design catered for everyday usage
- Water delay time of 3 seconds
- Solid brass body with high quality chrome finishing
- Impervious body structure capable of withstanding high volumes of use
- Child and elderly friendly

### Product Specifications

Material : Brass with Chrome Finish

Dimensions



### Testing Report

#### TEST RESULTS

#### Hydraulic Characteristics

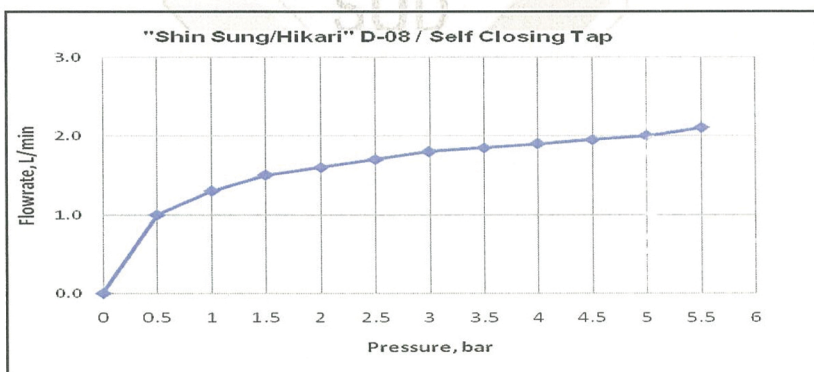


3) Description: Self Closing Basin Tap  
Model: D-08

| Flow Pressure ( bar ) | Flow Rate ( litres/min ) | Flow Rate Requirements for Water Efficiency Labelling | Photo |
|-----------------------|--------------------------|---|-------|
| 0                     | 0                        |   |       |
| 0.5                   | 1.0                      |   |       |
| 1.0                   | 1.3                      |   |       |
| 1.5                   | 1.5                      |   |       |
| 2.0                   | 1.6                      |   |       |
| 2.5                   | 1.7                      |   |       |
| 3.0                   | 1.8                      |   |       |
| 3.5                   | 1.9                      |   |       |
| 4.0                   | 1.9                      |   |       |
| 4.5                   | 2.0                      |   |       |
| 5.0                   | 2.0                      |   |       |
| 5.5                   | 2.1                      |   |       |

**Products/Fittings**  
Basin Taps & Mixers

4 to 6 litres/min ( 1 tick )  
2 to 4 Litres/min ( 2 ticks )  
2 litres/min or less ( 3 ticks )



### Water Efficiency

WELS Rating : Excellent ✓✓✓

Water Flow Rate : Refer to Testing Report

Resistration No. : BST - 2010/ 004904

Water Efficiency Mark

