



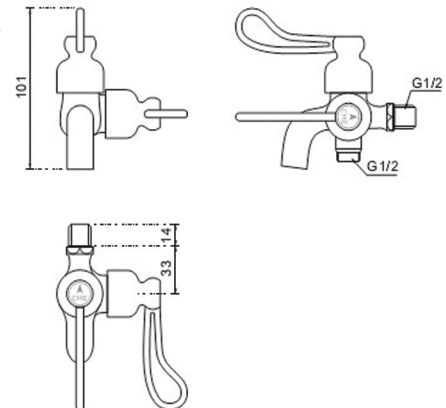
Product Features

- User friendly design catered for everyday usage
- Solid brass body with high quality chrome finishing
- Impervious body structure capable of withstanding high volumes of use
- Child and elderly friendly

Product Specifications

Material : Brass with Chrome Finish

Dimensions



Testing Report

Test Report No. 0719162312/CLC
dated 02 NOV 2009

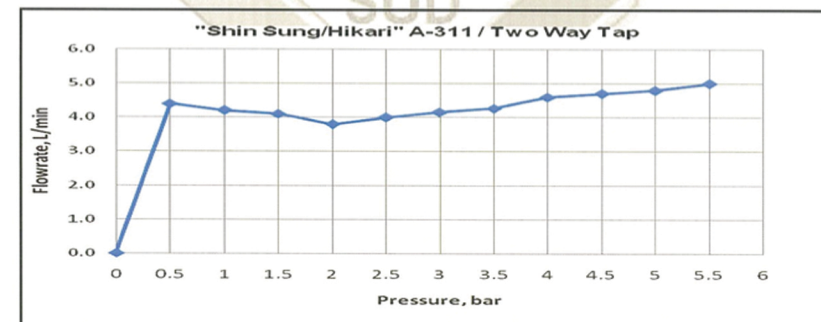


TEST RESULTS(Cont'd)

Hydraulic Characteristics

4) Description: Two Way Tap
Model: A-311

Flow Pressure (bar)	Flow Rate (litres/min)	Flow Rate Requirements for Water Efficiency Labelling	Photo
0	0		
0.5	4.4		
1.0	4.2		
1.5	4.1		
2.0	3.8		
2.5	4.0		
3.0	4.2	6 to 8 litres/min (1 tick)	
3.5	4.3	4 to 6 Litres/min (2 ticks)	
4.0	4.6	4 litres/min or less (3 ticks)	
4.5	4.7		
5.0	4.8		
5.5	5.0		



Water Efficiency

WELS Rating : Very Good ✓✓

Water Flow Rate : 4.40 Litres/ Minute

Resistration No. : SKT/ BT - 2009/ 003743

Water Efficiency Mark

Water Efficiency

Zero Tick ✓ ✓✓ ✓✓✓

Zero Tick Good Very Good Excellent

Water consumption: 4.40 litres/min
Type of product: Sink/Bib Taps and Mixers
Brand: Shin Sung
Model: A-311
Registration No.: SKT/BT-2009/003743

PUB
www.pw@corp.com.sg

Actual water consumption may vary from test results
Compare all models at www.pw.gov.sg