

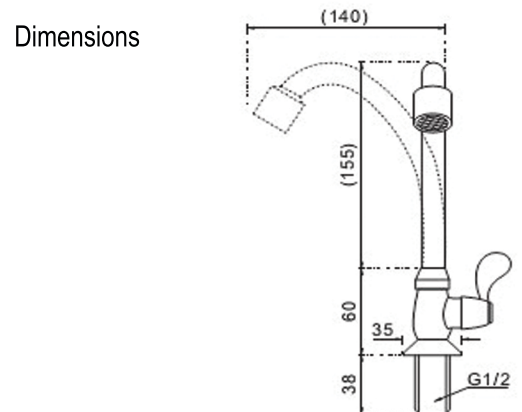


Product Features

- User friendly design catered for everyday usage
- Solid brass body with high quality chrome finishing
- Impervious body structure capable of withstanding high volumes of use
- Child and elderly friendly

Product Specifications

Material : Brass with Chrome Finish



Testing Report



TEST REPORT 0814A0116/01-CLC

Date 28 AUG 2014 Page 4 of 7


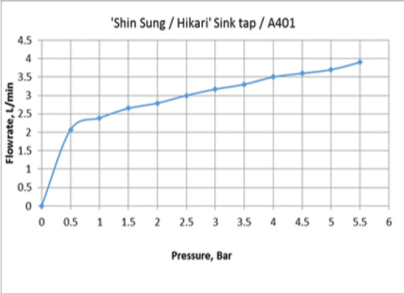
Singapore Laboratory Services Pte Ltd
64 Tuas South Ave 2 Singapore 637525
Phone +65 6686 3375 Fax +65 6686 3230



TEST RESULTS:

Hydraulic Characteristics

1) Description: Sink Tap
Model: A401

Flow Pressure (bar)	Flow Rate (litres/min)	Photo / Chart
0	0	
0.5	2.1	
1.0	2.4	
1.5	2.7	
2.0	2.8	
2.5	3.0	
3.0	3.2	
3.5	3.3	
4.0	3.5	
4.5	3.6	
5.0	3.7	
5.5	3.9	
The mean of the average at 1.5, 2.5, 3.5, 4.5 & 5.0 bar as per PUB flow rate requirements	3.3 l/min	
Products/Fittings Sink Taps & Mixers/Bib Taps >6 to 8 litres/min (1 tick) >4 to 6 litres/min (2 ticks) 4 litres/min or less (3 ticks)		

Water Efficiency

WELS Rating : Excellent ✓✓✓

Water Flow Rate : 3.30 Litres/ Minute

Resistration No. : SKT/ BT - 2015/ 016804

Water Efficiency Mark

