



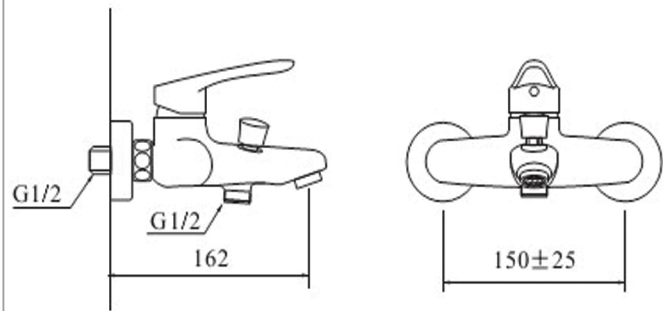
### Product Features

- User friendly design catered for everyday usage
- Solid brass body with high quality chrome finishing
- Impervious body structure capable of withstanding high volumes of use
- Child and elderly friendly

### Product Specifications

Material : Brass with Chrome Finish

Dimensions



### Testing Report


Test Report No. 7191013123-MEC11\_CR1-CLC  
dated 02 AUG 2011



#### TEST RESULTS:

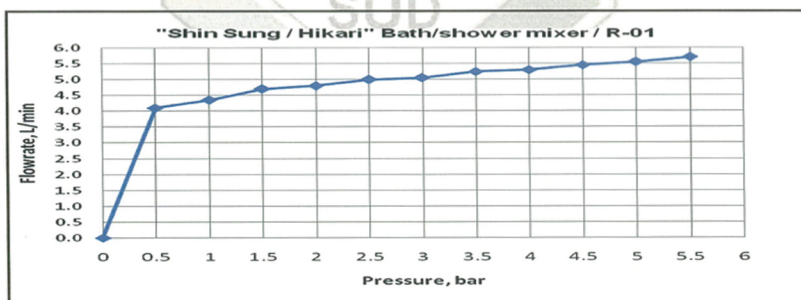
#### Hydraulic Characteristics

3) Description: Bath/shower mixer  
Model: R-01

Flow Pressure ( bar )	Flow Rate ( litres/min )	Flow Rate Requirements for Water Efficiency Labelling	Photo
0	0		
0.5	4.1		
1.0	4.4		
1.5	4.7		
2.0	4.8		
2.5	5.0		
3.0	5.1		
3.5	5.3		
4.0	5.3		
4.5	5.5		
5.0	5.6		
5.5	5.7		

Products/Fittings  
Shower Taps & Mixers

7 to 9 litres/min ( 1 tick )  
5 to 7 litres/min ( 2 ticks )  
5 litres/min or less ( 3 ticks )



### Water Efficiency

WELS Rating : Very Good ✓✓

Water Flow Rate : 5.20 Litres/ Minute

Resistration No. : SHT-2011/ 008592

Water Efficiency Mark

Water consumption: 5.20 litres/min  
Type of product: Shower Taps and Mixers  
Brand: SHIN SUNG  
Model: R-01  
Registration No.: SHT-2011/008592

Actual water consumption may vary from test results  
Compare all models at [www.pwb.gov.sg](http://www.pwb.gov.sg)

Chir

Alshmy