



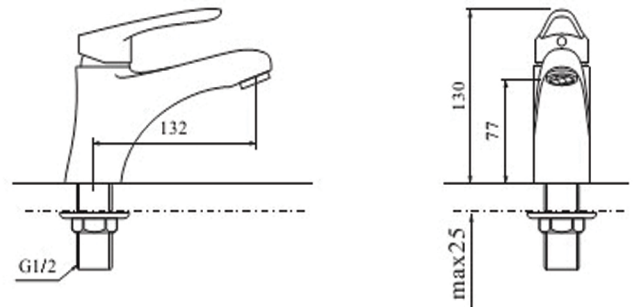
Product Features

- User friendly design catered for everyday usage
- Solid brass body with high quality chrome finishing
- Impervious body structure capable of withstanding high volumes of use
- Child and elderly friendly

Product Specifications

Material : Brass with Chrome Finish

Dimensions



Testing Report

Test Report No. 7191013123-MEC11_CR1-CLC
dated 02 AUG 2011



TEST RESULTS:

Hydraulic Characteristics

1) Description: Basin mixer
Model: R-03

Flow Pressure (bar)	Flow Rate (litres/min)	Flow Rate Requirements for Water Efficiency Labelling	Photo
0	0		
0.5	2.1		
1.0	2.3		
1.5	2.5		
2.0	2.6		
2.5	2.8		
3.0	2.9	4 to 6 litres/min (1 tick)	
3.5	2.9	2 to 4 Litres/min (2 ticks)	
4.0	2.9	2 litres/min or less (3 ticks)	
4.5	3.0		
5.0	3.1		
5.5	3.3		

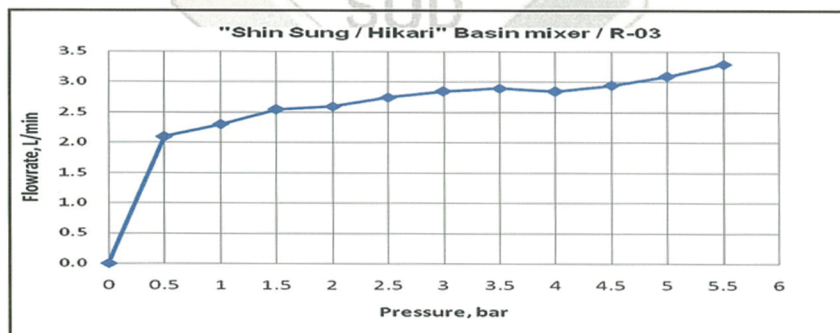
Water Efficiency

WELS Rating : Very Good ✓✓

Water Flow Rate : 2.90 Litres/ Minute

Resistration No. : BST-2011/ 008590

Water Efficiency Mark



Water Efficiency

○ Zero Tick
 ✓ Good
 ✓✓ Very Good
 ✓✓✓ Excellent

Water consumption: 2.90 litres/min
 Type of product: Basin Taps and Mixers
 Brand: SHIN SUNG
 Model: R-03
 Registration No.: BST-2011/008590

Actual water consumption may vary from test results. Compare all models at www.pub.gov.sg