

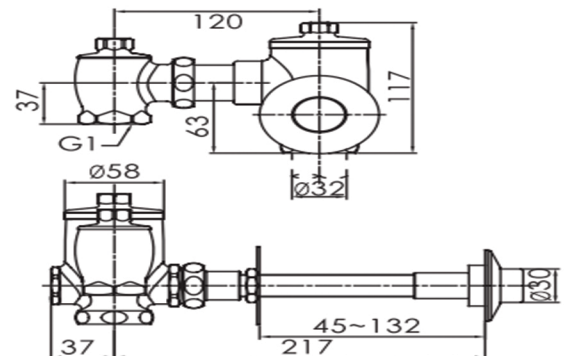
Product Features

- User friendly design catered for everyday usage
- Water delay time of 3 seconds
- Solid brass body with high quality chrome finishing
- Impervious body structure capable of withstanding high volumes of use
- Child and elderly friendly

Product Specifications

Material : Brass with Chrome Finish

Dimensions



Testing Report

Singapore Productivity and Standards Board

RESULTS:

(1) Volume and Rate of Discharge Test

Sample Reference	SS101				ENV Requirement (as given in Appendix)
	1.0	1.5	2.0	3.0	
Flow pressure (bar)	1.0	1.5	2.0	3.0	-
Volume of discharge (litre)	4.0	3.9	4.0	4.0	3.5 minimum 4.5 maximum
Discharge time (sec)	5.5	4.9	4.3	3.6	-
Rate of discharge (litres/sec)	0.7 *	0.8 *	0.9 *	1.1 *	1.2 minimum

*** Non-compliance with ENV requirement.

(2) Flushing Test

Sample Reference	SS101			ENV Requirements (as given in Appendix)
	1.0	1.5	3.0	
Dynamic water pressure (bar)	1.0	1.5	3.0	
Toilet paper test	Passed	Passed	Passed	The trap shall be cleared completely four times out of five in each test.
Towel test	Passed	Passed	Passed	
Ball test	Passed	Passed	Passed	
Sawdust test	Passed	Passed	Passed	The unflushed areas between the water surface and the underside of the rim shall not exceed 5000 mm ²