



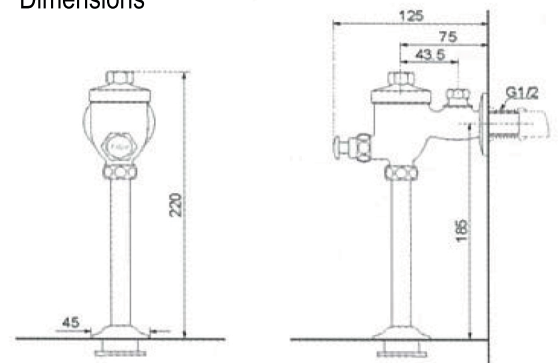
### Product Features

- User friendly design catered for everyday usage
- Solid brass body with high quality chrome finishing
- Impervious body structure capable of withstanding high volumes of use
- Child and elderly friendly

### Product Specifications

Material : Brass with Chrome Finish

Dimensions



### Testing Report



#### TEST REPORT 1214A0248/01-CLC

Date 15 DEC 2014 Page 2 of 2

Singapore Laboratory Services Pte Ltd  
64 Tuas South Ave 2 Singapore 637525  
Phone +65 6686 3375 Fax +65 6686 3230



#### TEST RESULTS:

##### (A) Discharge Volume Test

Sample Reference 'Shin Shun' SS102	PUB Requirements for Sensor Operated Urinal Flush Valves	Results			
		1.0	1.5	2.0	3.0
Flow Pressure (bar)					
Volume of discharge (litres)	0.5 – 1.5 litres	0.2	0.3	0.3	0.5

##### (B) Discharge Volume Test

Sample Reference 'Shin Shun'	Clause 10.5 of the ASME A112.19.2-2003	Results
SS102	The colour of the sample shall be compared to the colour of the control sample. Test sample is lighter than or equal to (pass), or darker than (fail), the control sample	Test sample is lighter than the control sample - Passed

#### APPENDIX A:



Photo 1. 'Shin Sung' Manual operated urinal flush valve  
Model: SS102

### Water Efficiency

WELS Rating : Excellent ✓✓✓

Water Flow Rate : Refer to Testing Report

Resistration No. : UR-2015/ 016772

Water Efficiency Mark

