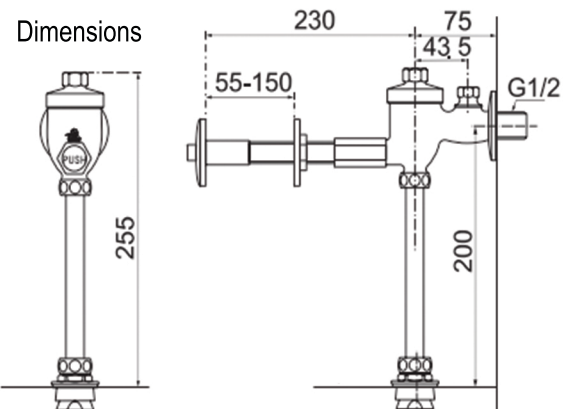


Product Features

- User friendly design catered for everyday usage
- Water delay time of 3 seconds
- Solid brass body with high quality chrome finishing
- Impervious body structure capable of withstanding high volumes of use
- Child and elderly friendly

Product Specifications

Material : Brass with Chrome Finish



Testing Report



TEST REPORT 1214A0248/01-CLC

Date 15 DEC 2014 Page 2 of 2

Singapore Laboratory Services Pte Ltd
64 Tuas South Ave 2 Singapore 637525
Phone +65 6686 3375 Fax +65 6686 3230



TEST RESULTS:

(A) Discharge Volume Test

Sample Reference 'Shin Shun' SS102	PUB Requirements for Sensor Operated Urinal Flush Valves	Results			
		1.0	1.5	2.0	3.0
Flow Pressure (bar)					
Volume of discharge (litres)	0.5 – 1.5 litres	0.2	0.3	0.3	0.5

(B) Discharge Volume Test

Sample Reference 'Shin Shun'	Clause 10.5 of the ASME A112.19.2-2003	Results
SS102	The colour of the sample shall be compared to the colour of the control sample. Test sample is lighter than or equal to (pass), or darker than (fail), the control sample	Test sample is lighter than the control sample - Passed

APPENDIX A:



Photo 1. 'Shin Sung' Manual operated urinal flush valve
Model: SS102

Water Efficiency

WELS Rating : Excellent ✓✓✓

Water Flow Rate : 0.50 Litres/ Flush

Resistration No. : UR-2015/016771

Water Efficiency Mark

